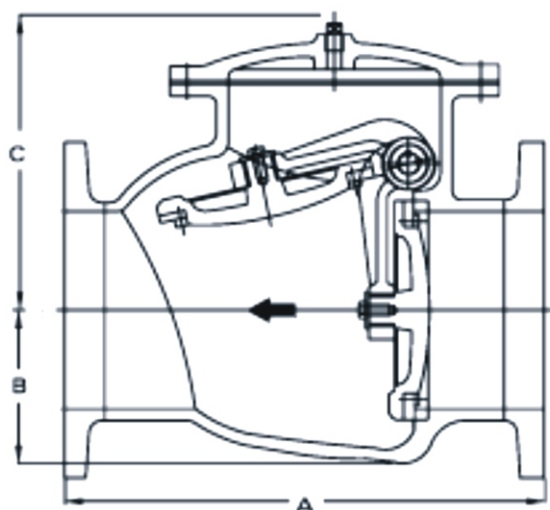


MMKE SWING CHECK REFLEX NON RETURN VALVES

Typical cross sectional view



General dimensions

Normal Size (DN)	A (Basic Series 10)	A (Basic Series 48)	B Approx.	C Approx.
50	203	200	60	120
65	216	240	70	150
80	241	260	85	170
100	292	300	100	205
125	330	350	110	210
150	356	400	135	250
200	495	500	170	300
250	622	600	205	345
300	698	700	215	395
350	787	800	255	430
400	914	900	285	510
450	978	1000	320	570
500	978	1100	380	625
600	1295	1300	400	685

Hydraulic test pressure

Pressure Rating	Body Test Pressure	Seat Test Pressure
PN 6	9 kg/cm ²	6.6 kg/cm ²
PN 10	15 kg/cm ²	11.0 kg/cm ²
PN 16	24 kg/cm ²	17.6 kg/cm ²