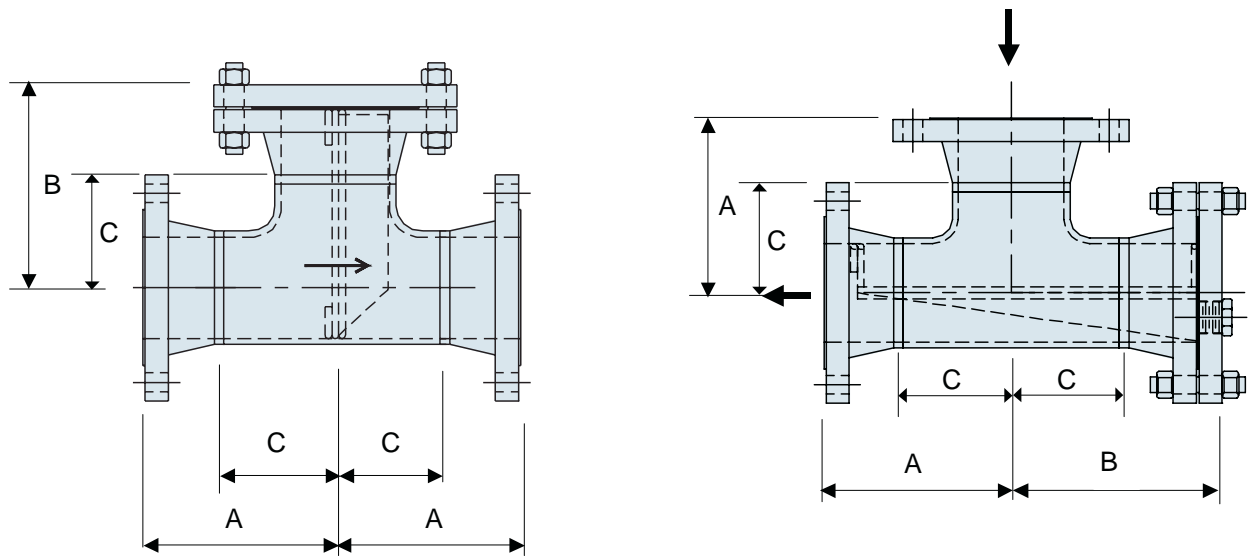


Tee Type Strainer



Standard Features:

- * Bolted blind flange cover
- * 1/8" perforated basket
- * NAF cover gasket

Line Size	ANSI 150#			ANSI 300#			ANSI 600#		
	A	B	C	A	B	C	A	B	C
2	5-1/8	6	2-1/2	5-3/8	6-3/8	2-1/2	5-1/2	6-5/8	2-1/2
3	6-1/4	7-5/16	3-3/8	6-5/8	7-7/8	3-3/8	6-3/4	8-1/8	3-3/8
4	7-1/4	8-3/8	4-1/8	7-5/8	9	4-1/8	8-1/4	9-7/8	4-1/8
6	9-1/4	10-3/8	5-5/8	9-5/8	11-3/16	5-5/8	10-3/8	12-3/8	5-5/8
8	11-1/8	12-3/8	7	11-1/2	13-1/4	7	12-3/8	14-11/16	7
10	12-5/8	14	8-1/2	13-1/4	15-1/4	8-1/2	14-5/8	17-1/4	8-1/2
12	14-5/8	16	10	15-1/4	17-3/8	10	16-1/4	19	10
14	16-1/8	17-5/8	11	16-3/4	19	11	17-5/8	20-1/2	11
16	17-1/8	18-3/4	12	17-7/8	20-1/4	12	19-1/8	22-1/4	12
18	19-1/8	20-7/8	13-1/2	19-7/8	22-3/8	13-1/2	20-7/8	24-1/4	13-1/2
20	20-13/16	22-5/8	15	21-1/2	24-1/8	15	22-5/8	26-1/4	15
24	23-1/8	25-1/8	17	23-3/4	26-5/8	17	25-1/8	29-1/4	17

Spl feature :

- * Quick opening cover
- * cad plated bolting
- * Stainless steel, alloy materials
- * Differential pressure gauge connections
- * Spiral wound gasket
- * Hinged Cover
- * DP gauges/stitch (fitted)
- * Larger perf. Or mesh liners
- * Cover davit
- * Air release head (fitted)
- * ANSI 900, 1500, 2500# units

Notes:

Dimensions for guidance only, please request certified drawings.
Special application requirements can be incorporated on request.
Larger sizes and pressure ratings available upon request.
Dimensions in inches.



M.M.K. Engineering Co. Pvt. Ltd.

Off. : Shop No.13, Shiv Sagar Sco., Near Eden High School,
Safed Pool Pipeline, Krula-Andheri Road, Sakinka, Mumbai-400 072.
Maharashtra, India

Cell : +91- 97022 47169, 98707 57456 Telefax : + 91- 22- 2852 0185

Email : mmkenggco@gmail.com Website : www.mmkevalves.com